

Madvac[®] LR175 – Compact Vacuum Robotic Arm with High Dump

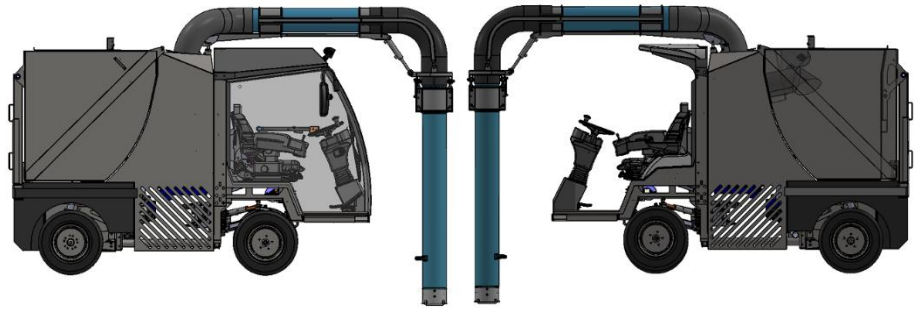
To vacuum sidewalks, walkways, plazas, public markets, alleyways and other high pedestrian traffic areas, there's nothing quite like the Madvac[®] LR175

- Powerful variable vacuum cleans rough and delicate surfaces such as concrete, asphalt, brick, cobblestone, grass
- Patented straight-through suction system
- Sharp turning radius, power steering, robotic arm joystick controlled
- Heavy-duty all-wheel suspension for better traction, more comfort and a safer ride
- High capacity 1.75 cu. Yd. (1.34 m³), high-dump hopper keeps the LR175 working longer
- Exceptional operator visibility for superior sweeping, safety and optional color rear-camera

Madvac® LR175

Applications

- Hospitals & Educational Facilities
- City Plazas, Sidewalks & Curbs
- Amusement Parks
- Seaports & Military Bases
- Large warehousing & Manufacturing Sites



Data and Performance Information

Capacities

Fuel tank	21.1 gal. (80 L)
Hydraulic System	23.7 gal. (90 L)
Water Capacity	53.83 gal. (200 L)
Litter Capacity	1.75 cubic yards (1.34 cubic meters)

Engine Data Tier 3

Model	Deutz D2011L03
Displacement	142.2 cubic in. (2330 cc)
Gross Rated Power	48 HP (35.8kW) @ 2800 rpm
Air Cleaner	2 stage Donaldson with restriction indicator

Engine Data Tier 4

Model	Hatz engine 3H50TIC
Displacement	91.54 cubic in. (1500 cc)
Gross Rate Power	56.0 HP (42 Kw) @ 2800 rpm
Air Cleaner	2 stage Donaldson with restriction indicator

Litter Collection System

Type	Cyclonic 3 stage filtrations
Frame/Body	Triangular frame tubing ¼ in. (6 mm)
Container Material	Stainless steel
Dumping Height	67" (1702 mm)
Container Payload	2000 lbs (910 kg)
Power Wash	Pressure water washer 1500 PSI (103.4 BAR) <i>Option</i>

Vacuum System

Vacuum Rating	2900 CFM (82.12 CMM)
Air Flow Speed	8,400 ft./min
Static Pressure	30" of water gauge (7.472 KPA)
Remote Vacuum	Wander hose <i>Option</i>

Traction

Drive	Front wheel drive <i>Option four-wheel drive</i>
Forward Speed	18.6 mph (30 km/h)
Brakes	Front hydrostatic brakes Rear mechanical parking disk brakes
Tire	Radial 145R12
Grade	Grade ability 25%
Curb Weight	Dry 5500 lbs (2,400 kg)
Weight Distribution	Front 45% / Rear 55%

Suspension

Front	Axial coil springs Heavy duty shock absorbers
Rear	Longitudinal coil springs Heavy duty shock absorbers

Robotic Arm

Robotic Arm	Controlled by proportional hydraulic valves
Joy Stick	6 positions in cab joy stick controls for: Up / Down, Right / Left & In / Out
Vacuum Head	48" (1219 mm) In cab controls hydraulic free-floating vacuum head (<i>Option</i>)
Wander Hose	6" (153 mm) X 15 foot (4572 mm) stowed Wander Hose (<i>Option</i>)

Electrical

Voltage	12 Volts, 80 AMP alternators Heavy duty battery
Lighting	2 headlights, brakes, turn signals, taillights 4-way flashers, 4 amber strobes
Instruments	Fuel gauge, hour meter Oil pressure light, water temperature light, battery light & engine light Radio, CD, MP3 player <i>Option</i> Color back up camera with 7" monitor <i>Option</i>

Cab

Cab	Cab forward design, 200° vision
Windshield	Full windshield
Windows	Side windows open each side
Light	Dome light
Doors	Full view glass tempered doors
Heating/AC	Automatic climate controls <i>Option</i>
Defrost	Windshield heated micro filament <i>Option</i>
Seat	Adjustable air vinyl seat with arm rest

Dimensions

Width	48" (1219 mm)
Length	122" (3099 mm)
Height	78" (1981 mm)
Wheelbase	65" (1651 mm)
Ground clearance	8.5" (216 mm)

Hydraulic System

Hydraulic Cooler	Electric fan cooled
Steering	Automotive type, power assisted
Drive System	Heavy duty hydrostatic drive



Headquarters :

2170, de la Province
Longueuil (Quebec)
CANADA J4G 1R7

Toll Free 1 855 651 0444

Tel. 450 651-0444
Fax. 450 651-0447

www.exprolink.com

